



# Control Tak

tel : 021-66479486

کنترل تک پیشرو در صنعت ابزار دقیق

## Cim 620

"FILTRASFERA" - FULLWAY BALL VALVE WITH STRAINER - PATENT N° 0341345



This article was made in compliance with the quality management requirements of standard ISO 9001:2008. All articles are tested according to the standard EN 12266-1:2003.

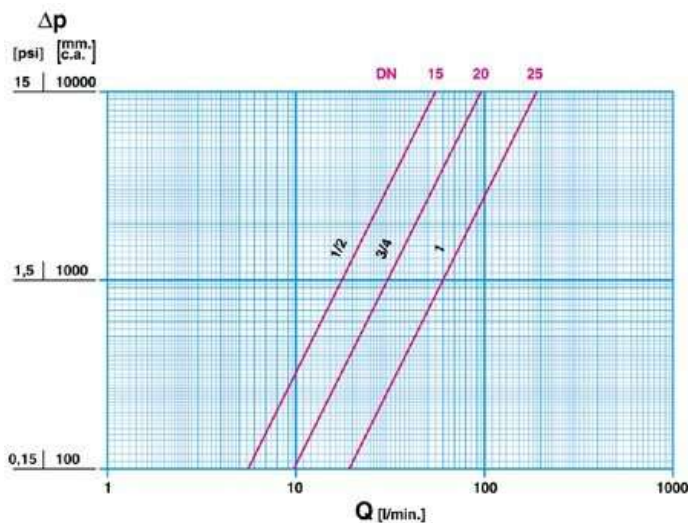
It can be used in a wide variety of sectors: heating, air conditioning, water, sanitary systems, pneumatic systems, oil pipelines, gasoline networks, saturated steam and generally with any non corrosive liquid. It is guaranteed for 5 years.

It is made of a brass alloy that complies with standard EN 12165-CW617N-M.

Nominal Pressure: PN32

Operating temperature: -20 ÷ 150°C

### FLOW AND PRESSURE DROP



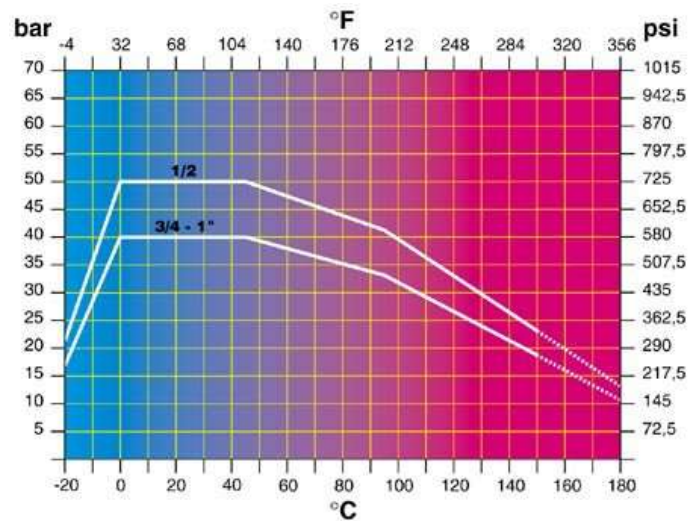
Flow and pressure drop

1 l/min = 0,06 m<sup>3</sup>/h

1 m<sup>3</sup>/h = 16,67 l/min

cav. uff. **GIACOMO CIMBERIO** s.p.a.

### PRESSURE TEMPERATURE RATINGS



Pressure / temperature ratings

1 bar = 14,5 p.s.i.

°C = 5/9 ( °F-32)

°F = 32+9/5 °C

شرکت فنی مهندسی کنترل تک فعال در زمینه ی فروش ، مشاوره فنی رایگان و آموزش ابزار دقیق

Controltak@Gmail.com

WWW.CONTROLTAK.COM

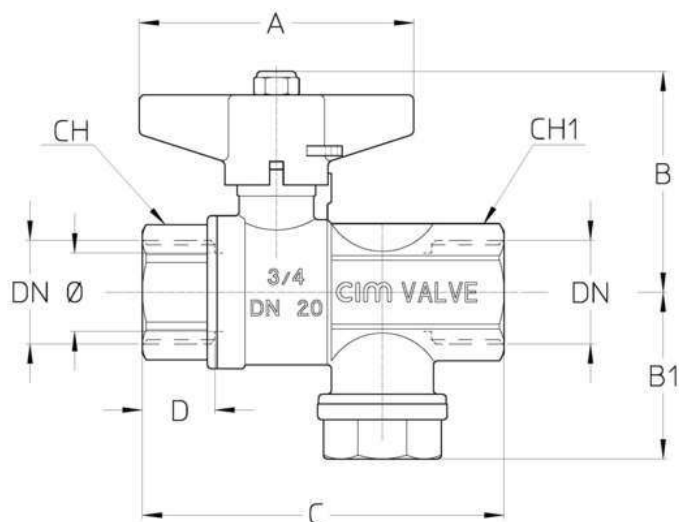
@ControlTak تلگرام

اینستاگرام Control-Tak

02166479486

تماس : 09190345384

## TECHNICAL DRAWING



DN	1/2"	3/4"	1"
Ø mm	15	20	25
<b>Grms.</b>	<b>320</b>	<b>520</b>	<b>685</b>
A	50	70	70
B	52	56	60
B1	39	43	50
C	81	92	112
D	17	18,5	21
CH	25	31	40
CH1	25	31	38

Connection:

ISO 7 RP (Parallel)

On request:

ISO 7 RC (Taper)

ANSI B.1.20.1 (NPT)

## TECHNICAL CHARACTERISTICS

KV CM CS MT			
DN	1/2"	3/4"	1"
Ø mm	15	20	25
KV	3	6	11
CM	3	5	6
CS	6	10	12
MT	10	24	24

KV = Capacity in m<sup>3</sup>/h at pressure drop of 1 bar

CM = Working torque in Nm.

CS = Starting torque in Nm.

MT = Maximum torque on the stem in Nm.

شرکت فنی مهندسی کنترل تک فعال در زمینه ی فروش ، مشاوره فنی رایگان و آموزش ابزار دقیق

Controltak@Gmail.com

WWW.CONTROLTAK.COM

تلگرام @ControlTak

اینستاگرام Control-Tak

02166479486

تماس : 09190345384