



Control Tak

tel : 021-66479486

کنترل تک پیشرو در صنعت ابزار دقیق

Cim 10

FULL BORE BALL VALVE - PN 40 - TYPES T10 - ALUMINIUM LEVER HANDLE



valve
cimberio

This article was made in compliance with the quality management requirements of standard ISO 9001:2008. All articles are tested according to the standard EN 12266-1:2003.

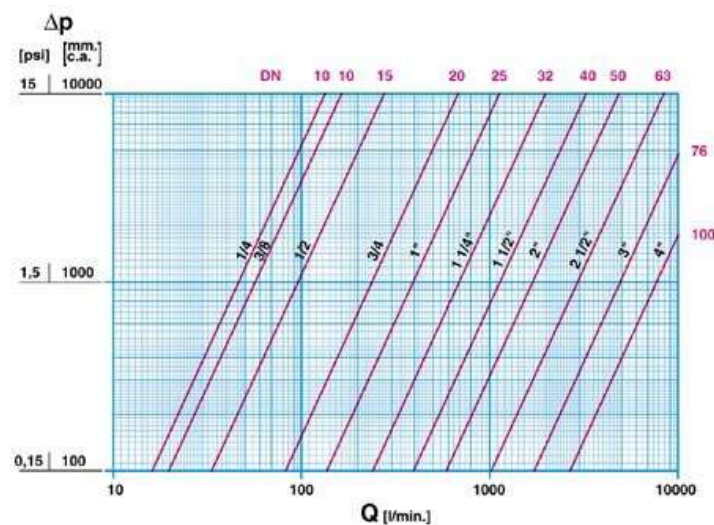
It can be used in a wide variety of sectors: heating, air conditioning, water, sanitary systems, pneumatic systems, oil pipelines, gasoline networks, saturated steam and generally with any non corrosive liquid. It is guaranteed for 5 years.

It is made of a brass alloy that complies with standard EN 12165-CW617N-M.

Nominal Pressure: PN40

Operating temperature: -20 to 150°C

FLOW AND PRESSURE DROP

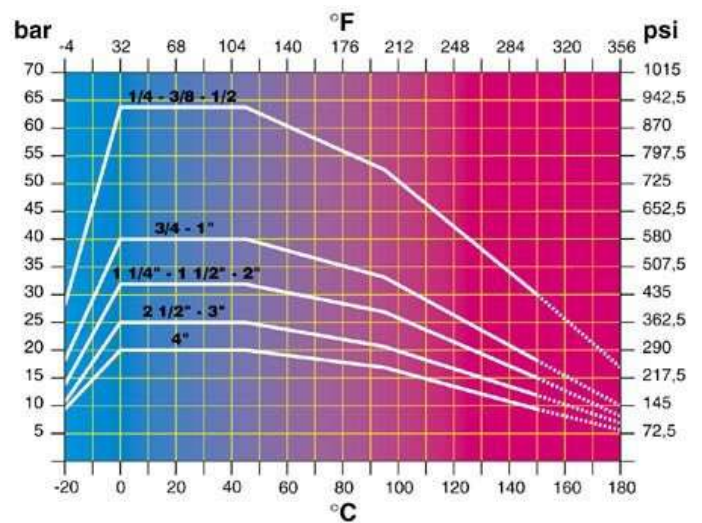


Flow and pressure drop

1 l/min = 0,06 m³/h

1 m³/h = 16,67 l/min

PRESSURE TEMPERATURE RATINGS



Pressure / temperature ratings

1 bar = 14,5 p.s.i.

°C = 5/9 (°F-32)

°F = 32+9/5 °C

شرکت فنی مهندسی کنترل تک فعال در زمینه ی فروش ، مشاوره فنی رایگان و آموزش ابزار دقیق

Controltak@Gmail.com

WWW.CONTROLTAK.COM

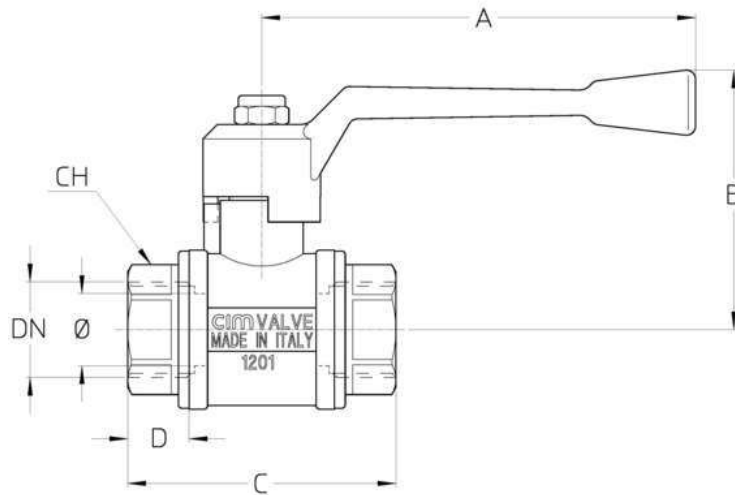
@ControlTak تلگرام

اینستاگرام Control-Tak

02166479486

تماس : 09190345384

TECHNICAL DRAWING



DN	1/4"	3/8"	1/2"	3/4"	1"	1"1/4	1"1/2	2"	2"1/2	3"	4"
Ø mm	10	10	15	20	25	32	40	50	63	76	100
Grms.	180	185	340	610	830	1325	1730	3000	6630	10360	13500
A	80	80	100	120	120	150	150	150	240	240	310
B	50	50	54	65	69	83	89	96	121	132	160
C	47	50	64	74	88	101	106	131	158	184	222
D	12,5	13,5	17	18,5	22	24	23	28,5	31	35	43
CH	18,5	21,5	27	32	41	49	55	70	86	100	128,5

Connection:

ISO 7 RP (Parallel)

On request:

ISO 7 RC (Taper)

ANSI B.1.20.1 (NPT)

TECHNICAL CHARACTERISTICS

KV CM CS MT											
DN	1/4"	3/8"	1/2"	3/4"	1"	1"1/4	1"1/2	2"	2"1/2	3"	4"
Ø mm	10	10	15	20	25	32	40	50	63	76	100
KV	8	10	17	41	68	123	198	290	520	850	1350
CM	1	1	3	4	5	8	10	13	15	17	19
CS	2	2	6	10	12	17	22	26	32	36	40
MT	10	10	20	45	45	93	93	93	280	280	550

KV = Capacity in m³/h at pressure drop of 1 bar

CM = Working torque in Nm.

CS = Starting torque in Nm.

MT = Maximum torque on the stem in Nm.

شرکت فنی مهندسی کنترل تک فعال در زمینه ی فروش ، مشاوره فنی رایگان و آموزش ابزار دقیق

Controltak@Gmail.com

WWW.CONTROLTAK.COM

@ControlTak تلگرام

اینستاگرام Control-Tak

02166479486

تماس : 09190345384