

Description

This type of ball float heavy duty steam trap is designed for using the place where much amount of drain is expected such as heat exchangers, dryers or headers. These traps have simple constructions and reliable operations due to their lever float type, with cast iron body.

It is available in two models:

- 442F - With a manually adjustable air venting needle valve
- 442FT - With integral automatic air venting facility



Limiting Conditions

Body Design Conditions	PN10
PMO - Maximum Operating Pressure	5 kgf/cm ²
TMO - Maximum Operating Temperature	150 °C
PMA - Maximum Allowable Pressure	10 kgf/cm ²
TMA - Maximum Allowable Temperature	180 °C
Cold Hydraulic Test Pressure	15 kgf/cm ²

Operating Range

Δ PMX – Maximum differential pressure

Model	Δ PMX
442F	5 kgf/cm ²
442FT	5 kgf/cm ²

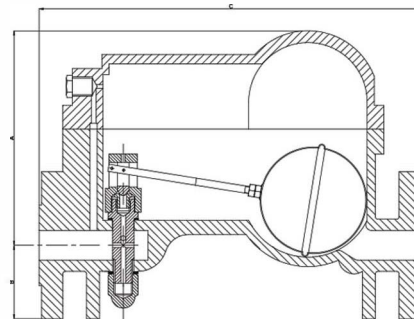
Sizes and Pipe Connections

DN 25,32,40,50 Flanged (JIS B 2212)

Dimensions / Weights (Approximate) mm and kg

Size	C	B	A	Weight
DN25	320	60	130	15.5
DN32	320	60	130	15.5
DN40	370	70	200	20.5
DN50	370	70	200	20.5

Constructions are a bit different according the sizes.





E.S.E. Valve Co. Ltd.

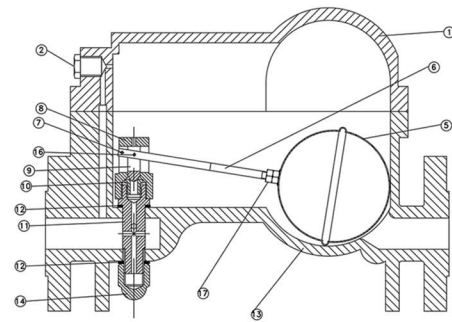
021 66479486 فروش
0912 8448763

E.S.E. Valve Co.

Ball Float Steam Traps - 442

Materials

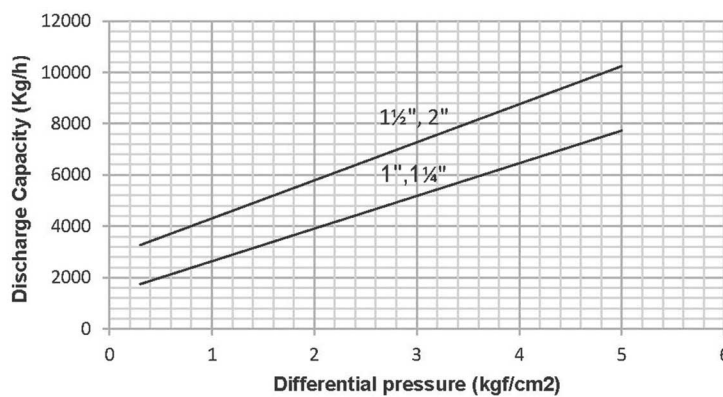
1	Bonnet	GG 25
2	Adjusting Air Vent	Brass
3	Bolt	C.S.
4	Nut	C.S.
5	Ball Float *	AISI 304
6	Stem *	AISI 304
7	Pin	AISI 304
8	Cap *	Gray Cast
9	Plug *	Brass
10	Seat *	Brass
11	Support *	Gray Cast
12	Gasket *	Clingrit
13	Body	GG 25
14	Luck Nut *	Brass
15	Name Plate	Aluminum
16	Pin	AISI 304
17	Nut	AISI 304
18	Pin	Aluminum



Note: (*) Spare Part

Capacities

Maximum continual discharge amount (Kg/h)



Note: Capacities shown are based on discharge at saturation temperature. In 442FT when discharging sub-cooled condensate, the air vent provides extra capacity. Under start up conditions the thermostatic air vent will be open, and will provide additional condensate capacity to outlet.

Installation

The trap should be installed in a horizontal pipeline with the direction of flow as indicated by the arrow on the trap body.

How to Order

Example: FT442 – DN40 - Ball Float Thermostatic Steam Trap.

Design and specification are subject to change without notice