



Cert. No. LRQ 0963008

ISO 9001

spirax sarco

TSS21

TI-P125-02
ST Issue 4

کنترل تک

واحد فروش ۰۲۱۶۶۴۷۹۴۸۶

واتساب استعمال ۰۹۱۲۸۴۴۸۷۶۳

Stainless Steel

Sealed Thermostatic Steam Tracer Trap

Description

The TSS21 all stainless steel steam tracer trap is a completely sealed unit and therefore has no gasketed joints. It is operated thermostatically using a balanced pressure capsule and is specifically suitable for non critical tracing applications.

It is however a dual purpose trap in that it can be fitted in the reverse mode where it will operate as a fixed temperature discharge steam trap.

The trap fitted in the reverse mode will limit the downstream temperature to approximately 90°C when discharging to atmosphere.

Standards

This product fully complies with the requirements of the European Pressure Equipment Directive 97/23/EC.

Certification

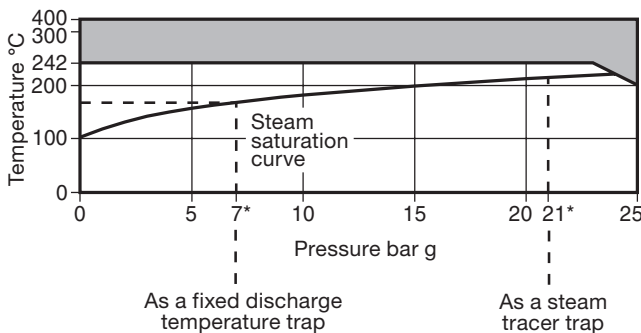
This product is available with a manufacturer's Typical Test Report. **Note:** All certification/inspection requirements must be stated at time of order placement.

Sizes and pipe connections

1/2" screwed BSP or NPT

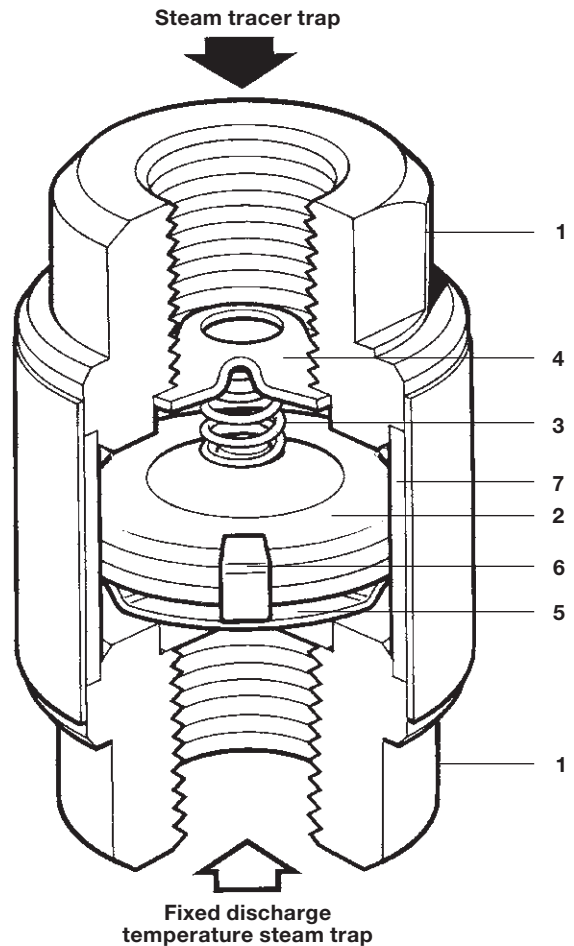
Socket weld ends to BS 3799 Class 3000.

Pressure/temperature limits



The product **must not** be used in this region.

Body design conditions		PN25
PMA	Maximum allowable pressure	25 bar g @ 200°C
TMA	Maximum allowable temperature	400°C
Minimum allowable temperature		-254°C
* PMO	Maximum operating pressure when used as a steam tracer trap	21 bar g
	Maximum operating pressure when used as a fixed discharge temperature trap	7 bar g
TMO	Maximum operating temperature	242°C
	Maximum operating temperature when used as a fixed discharge temperature trap	170°C
Minimum operating temperature		0°C
Designed for a maximum cold hydraulic test pressure of 38 bar g		

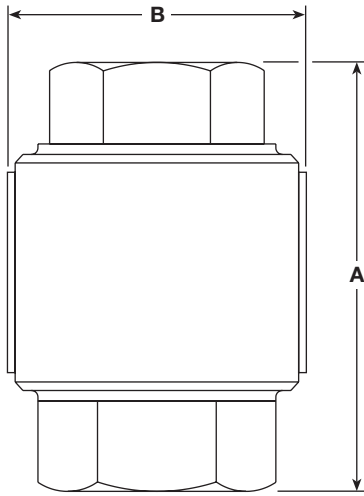


Materials

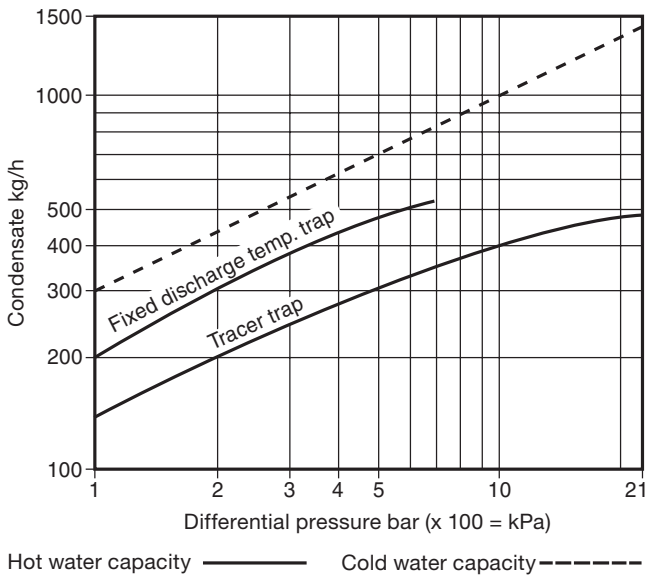
No.	Part	Material
1	End bosses	Stainless steel ASTM A276 Gr. 304
2	Capsule	Stainless steel
3	Spring	Stainless steel Federal QQ-W-423
4	Spring retainer	Stainless steel BS 1449 304 S16
5	Space place	Stainless steel BS 1449 304 S16
6	Location clip	Stainless steel BS 1449 302 S25
7	Case	Stainless steel ASTM A269 Gr. 321

Dimensions/weight (approximate) in mm and kg

Size	A	B	Weight
½"	65	43	0.4



Capacities



Safety information, installation and maintenance

For full details see the Installation and Maintenance Instructions (IM-P125-10) supplied with the product.

Installation note:

The trap is intended for installation in a vertical line with flow vertically downwards. For tracing applications observe the direction of the red arrow on the trap body. For fixed discharge temperature applications observe the direction of the black arrow on the trap body. This will ensure that the trap is self-draining.

When the trap is installed in its fixed discharge temperature mode it must discharge to atmosphere. The trap has not been designed to operate when discharging into a pressurised return main - under such conditions its operation will be erratic and unpredictable.

Disposal

The product is recyclable. No ecological hazard is anticipated with disposal of this product, providing due care is taken.

Spare parts

The TSS21 is a sealed, non maintainable, steam tracer trap. Therefore, no spare parts are available.

How to order

Example: 1 off Spirax Sarco ½" TSS21 sealed thermostatic steam trap having screwed BSP connections.

کنترل تک

واحد فروش ۰۲۱۶۶۴۷۹۴۸۶

واتساب استعمال ۰۹۱۲۸۴۴۸۷۶۳