

کنترل تک

واحد فروش ۰۲۱۶۶۴۷۹۴۸۶

واتس‌آپ استعمال ۰۹۱۲۸۴۴۸۷۶۳

Good Reasons to Choose the Type 3241 Valve

SAMSON



Type 3241

SAMSON develops and manufactures control valves to meet all requirements. We offer the full range of high-quality and state-of-the-art control equipment for industrial processes.

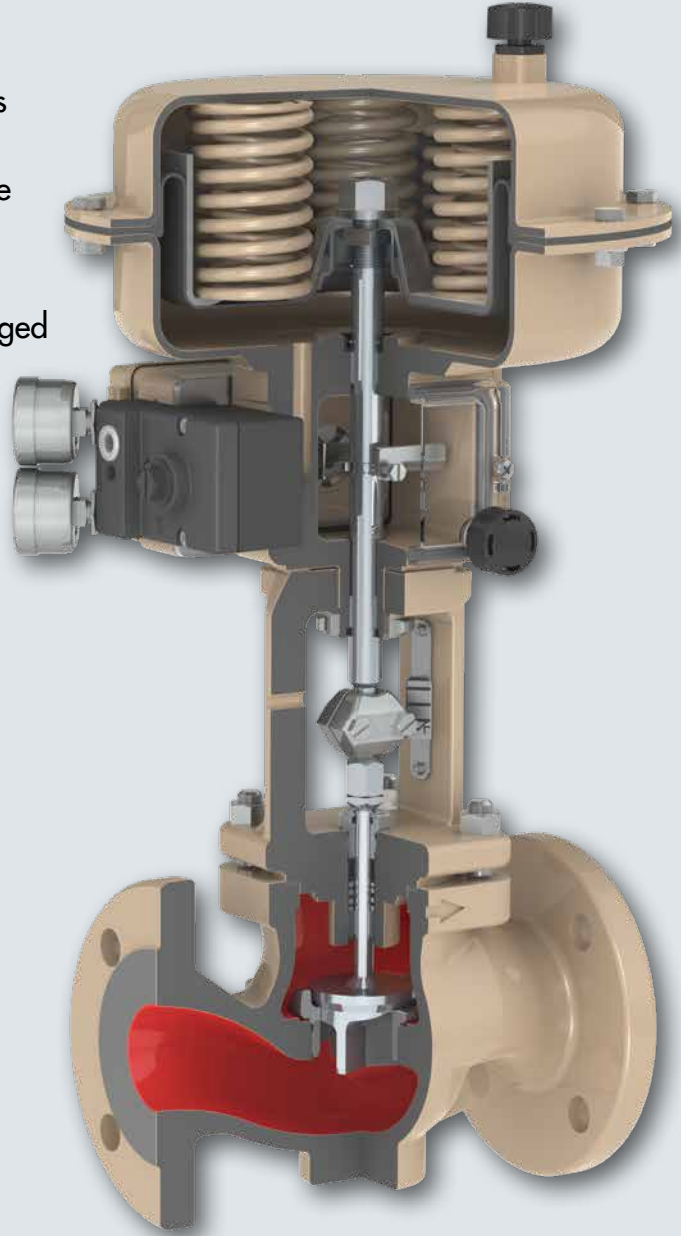


SMART IN FLOW CONTROL

Type 3241

SAMSON

- Actuator sizes ranging from 120 to 2800 cm²
- Integral attachment of digital or analog positioners as well as limit switches with solenoid valves
- Completely housed mechanical valve travel linkage
- Actuator together with positioner can be rotated by 360°
- Separate bonnet allows the actuator to be exchanged without the need to open the valve
- Bonnet and body made of the same material
- Stem seal monitoring for better controllability
- Optional insulating section or bellows seal
- Low-lying guide bushing guarantees stable guidance
- Up to 15 K_{VS} coefficients available in steps of 1.6 for each valve size
- Optimal trim to suit special applications



SAMSON AKTIENGESELLSCHAFT

Weismuellerstrasse 3 · 60314 Frankfurt am Main, Germany
Phone: +49 69 4009-0 · Fax: +49 69 4009-1507
E-mail: samson@samsongroup.com
Internet: www.samsongroup.com

کنترل تک

واحد فروش ۰۲۱۶۶۴۷۹۴۸۶

واتسآپ استعلام ۰۹۱۲۸۴۴۸۷۶۳

SMART IN FLOW CONTROL