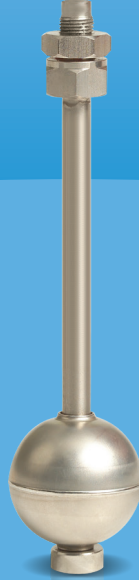




کنترل تک

واحد فروش : ۰۲۱۶۶۴۷۹۴۸۶

واتساب استعلام : ۰۹۱۲۸۴۴۸۷۶۳



AU-21

LEVEL SWITCH WITH ROD

GENERAL FEATURES

Ayvaz AU-21 Level Controller is designed to control the liquid level in all pressurized or non-pressurized containers. As an element of intuition, a stainless steel float and reed switch with magnetic operation feature are placed in a stainless steel tube.

Depending on the change in fluid level, the magnetic float that moves linearly along the tube stimulates the reed switch. The signal obtained by the reed switch being turned on or off is transmitted to the control panel and evaluated by the relay circuit.

Up to 6 meters length can be manufactured in a single piece. Top mounted AU-22 level control devices can be designed and manufactured to provide low / high level, pump start / stop signals that can be received at tank level automation.

It has a minimum density of 0.6g / cm³ and a temperature of up to 150 ° C. The minimum distance between contacts should be 30 mm.

Product Features

Body	: AISI 304 Stainless Steel (Opt. AISI316 and Extra Teflon Coated)
Float	: AISI 316L Stainless Steel (Opt. Extra Teflon Coated)
Working Temperature	: -10 / +125 °C
Max. Switch Voltage	: 400 VAC/DC

Max. Working Pressure	: 16 bar
Connection	: BSP&NPT (min 3/8")
Min.Density	: 0.8 kg/m ³
Contact Type	: N.O / N.C
Contact Number	: N.O 2 Max. / N.C 2 Max.
Switch Capacity	: 60VA
Switch Current	: 1.0VA
Option	: EX-PROOF
Protection Class	: IP68

Advantages

- Precise level control
- Both open and closed contact
- Long service life
- Sealing
- Continuous control
- Corrosion resistance of fluid contact zones

Application Areas

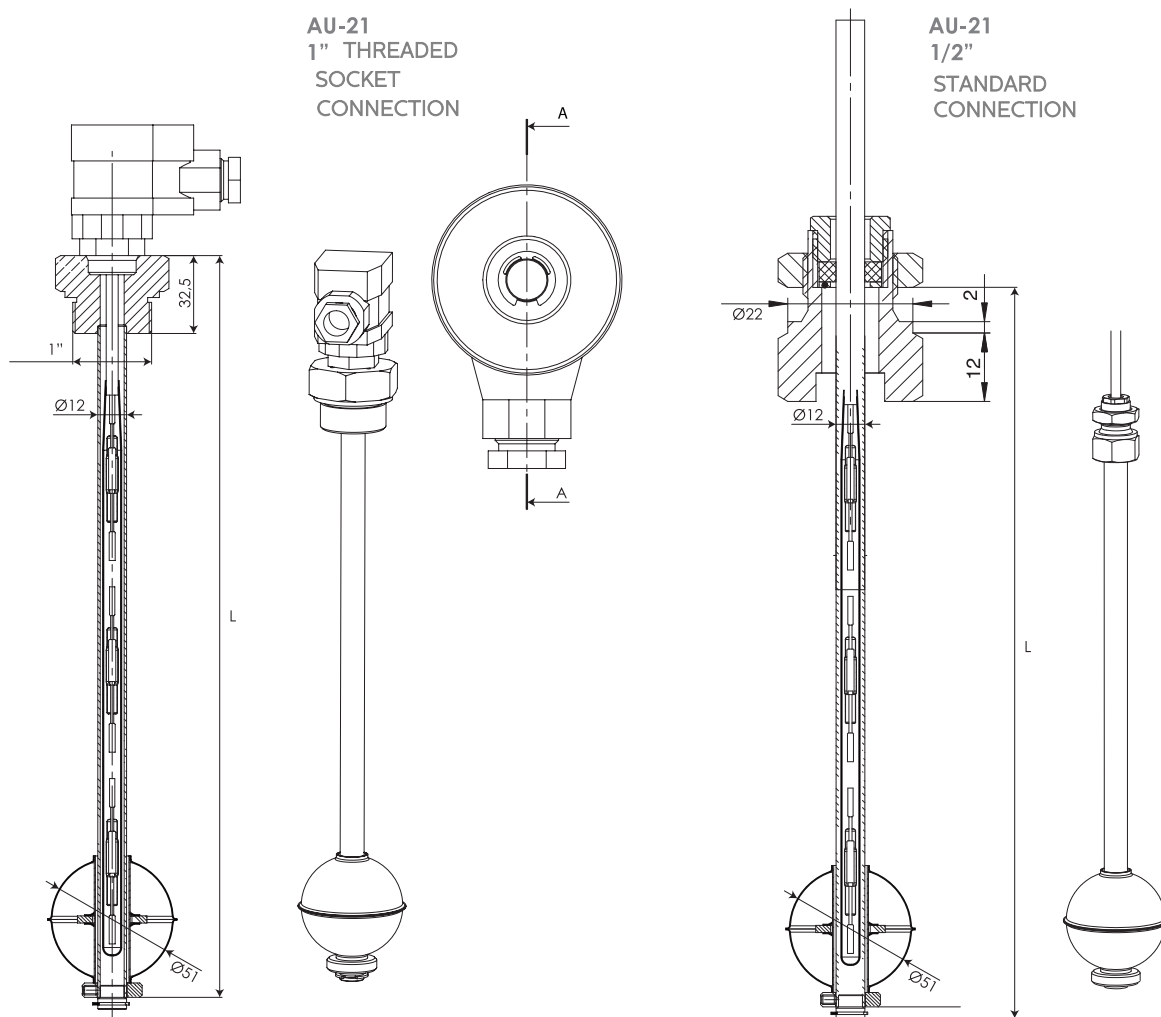
- Shipbuilding Industry
- Waste / Fresh water tanks
- Food Industry
- Fuel Tanks
- Acid Tanks
- Chemical / Petrochemical Tanks

AU-21 LEVEL SWITCH WITH ROD

You are required to inform sales team during the order

1. Length of the probe (L)
2. Number of desired contacts and locations
3. Fluid type (Oil, fuel, water)
4. Fluid temperature

Dimensions	
AU-21 BSP or NPT	Length (mm)
3/8" and above	Applicable for length range between 300-6000mm

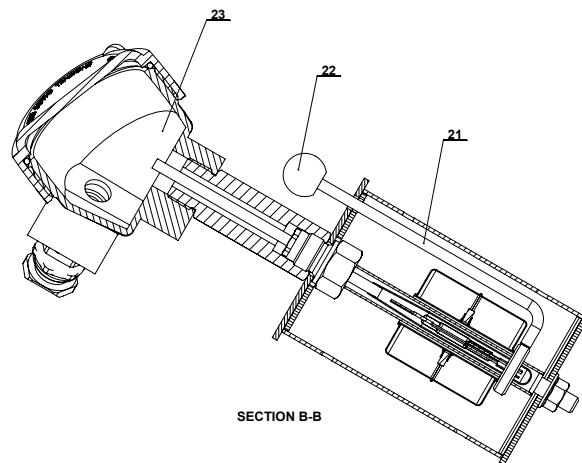
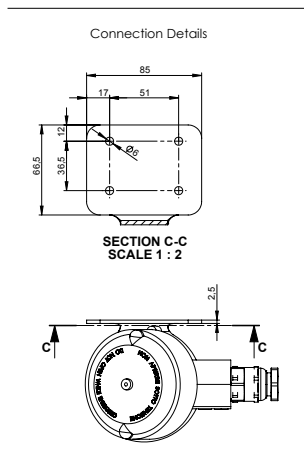
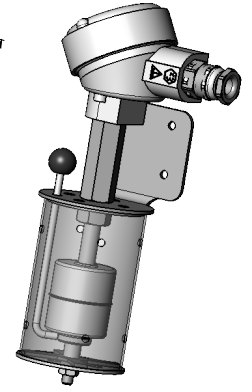
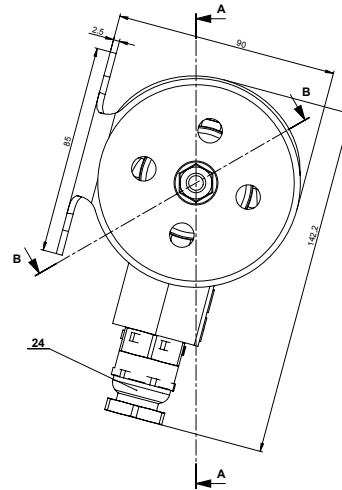
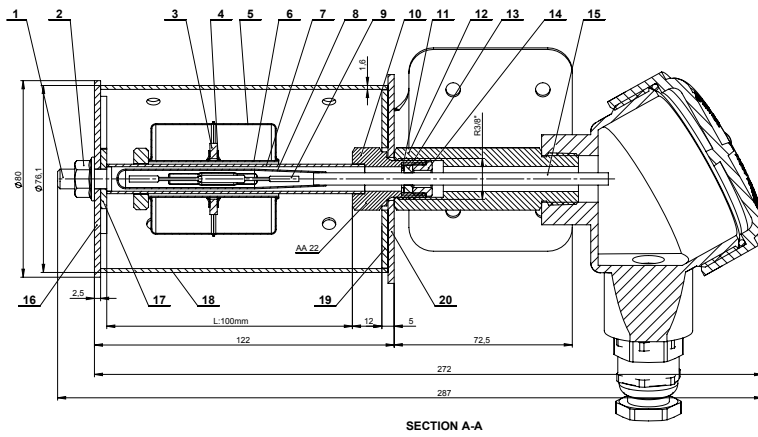


* For different sizes, connection, pressure and applications please consult our sales team.



AU-21 LEVEL SWITCH WITH ROD

IP68+EX-PROOF, WITH TESTING ROD, WITH PROTECTION CASE



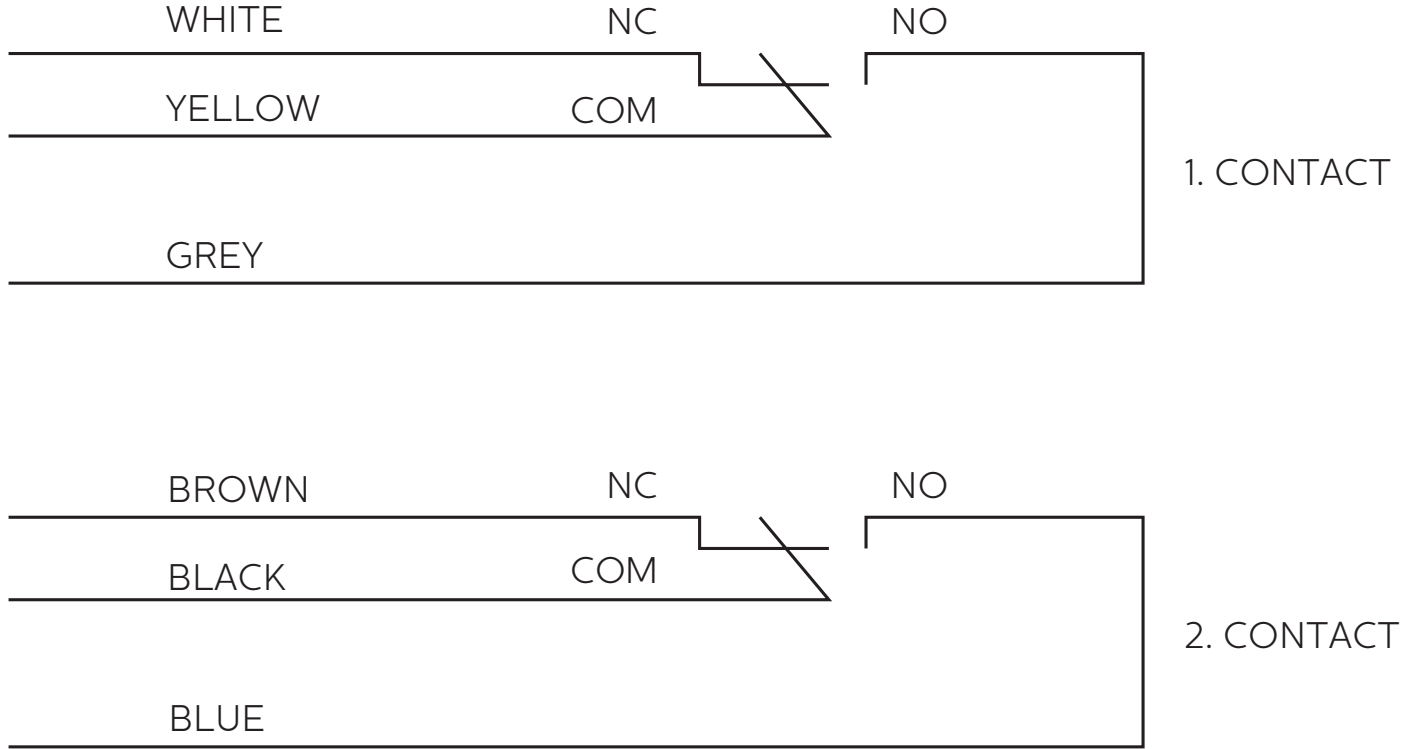
No	Part Name	Material List
1	Bottom Flange Screw	AISI 304
2	Flange Nut	AISI 304
3	Float Magnet	
4	Spring Washer	Spring Steel
5	Float Head	AISI 316L
6	Float Tube	AISI 304
7	Level Tube	AISI 304
8	Tube	
9	Switch	
10	Threaded	AISI 304
11	Washer	Aluminium
12	Connection Part	AISI 303

No	Part Name	Material List
13	Rubber Gasket	
14	Gasket	AISI 304
15	Cable	Ø 0.25
16	Bottom Flange	AISI 304
17	Bottom Flange Connection	AISI 304
18	Protection Tube	AISI 304
19	Top Flange	AISI 304
20	Top Flange Connection	AISI 304
21	Test Handle	AISI 304
22	Handle	Bakelite
23	Head	
24	Cable Raccord	



AU-21 LEVEL SWITCH WITH ROD

AU-21 ELECTRICAL CONNECTION SCHEME



CHANGE OVER

کنترل تک

واحد فروش ۰۲۱۶۶۴۷۹۴۸۶

واتساب استعلام ۰۹۱۲۸۴۴۸۷۶۳



HEAD OFFICE - FACTORY

Atatürk Sanayi Bölgesi Hadımköy Mahallesi Mustafa İnan Caddesi No: 44 Arnavutköy - İSTANBUL
Tel: +90 212 771 01 45 (pbx) | Fax: +90 212 771 47 27
info@ayvaz.com | www.ayvaz.com

Cona
Caserta/Italy
Tel: +39 0823 187 3988
rmolaro@ayvaz.com

Ayvaz Russia
Moscow/Russia
Tel: +74959951728
ayvazrus@ayvaz.com

Ayvaz Germany
Vierenheim/Germany
Tel: +49 62046014399
germany@ayvaz.com

Ayvaz Ukraine
Kiev/Ukraine
Tel: +380 44 390 57 57
info@ayvaz.com.ua

Tricorr
Warsaw/Poland
Tel: +48-32-783-295-1
tricorr@tricorr.eu

Haci Ayvaz M.E.
Dubai/U.A.E
Tel: +971 563550822
+971 501306871
mideast@ayvaz.com

Ayvaz China
Cixi City/China
Tel: +86 0574 5897 3851
info@ayvazchina.com

Ayvaz Kazakhstan LLP
Almaty/Kazakhstan
Tel: +7 (727) 327 97 57
info_kz@ayvaz.com
www.ayvaz.kz

Ayvaz N
Ispirih/Bulgaria
Tel: +359 8431 27 32
office@ayvaz-n.eu

Ayvaz Serbia
Belgrad/Serbia
Tel: +381 61 658 70 52
yakbiyik@ayvaz.com