

C-4

## FLOAT SWITCH

### GENERAL FEATURES

As Ayvaz C-4's float moves along with fluctuation of the fluid inside the tank provides contact via micro switch when it reaches the activation point. Pumps, selenoid valves, motorized valves and alarms can be controlled efficiently, safely and continually via micro switches.

#### Installation:

C-4 float Switch can be mounted to the tank's wall. Additionally, it can be mounted with socket welded flanges to the tank's wall. For high/low level contacts, float switches should be mounted upward direction as arrow shows on the flange.

#### Application Areas:

- Pressurised / Non- Pressurised Tanks
- Acid Tanks
- Hydrophore
- Fuel Tanks
- Steam Generator
- Water Treatment Systems
- Freshwater / Sewage Tanks
- Boilers

#### Advantages

- Magnetic Working
- Inbuild Sealing
- Various Applications
- Wide Adjustment Range
- Long Life Service

**Accessories:** Testing Rod, Adjustment Rod

For high temperature and pressures please contact with customer representative.

### PRODUCT FEATURES

**Float:** AISI 316L Stainless Steel

**Flange Material** AISI 304  
(Opt. PN16 Carbon Steel)

**Cover:** Aluminium

**Protection Class:** IP66

**Max. Working Temperature:** 150 °C

**Max. Working Pressure:** 16 bar

**Micro Switch:** 16 A

**Max. Switch Voltage** 480 VAC/DC

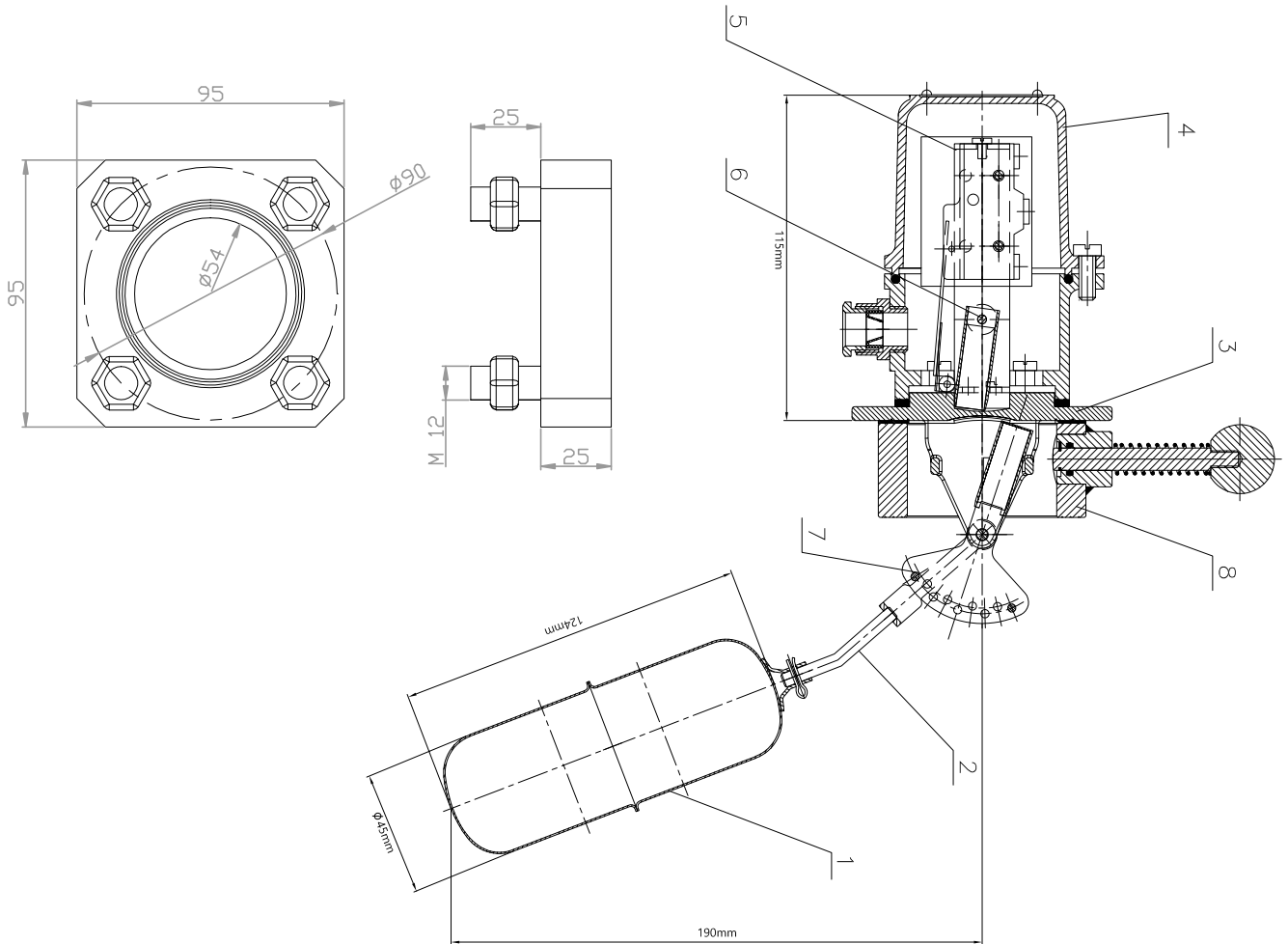
**Contact Type:** NO/NC

**Activation Level Limit:** 20-180 mm  
(Above the limit multiple C-4 should be used)

# C-4 FLOAT SWITCH



## ADJUSTABLE ROD C-4 TECHNICAL SPECIFICATION

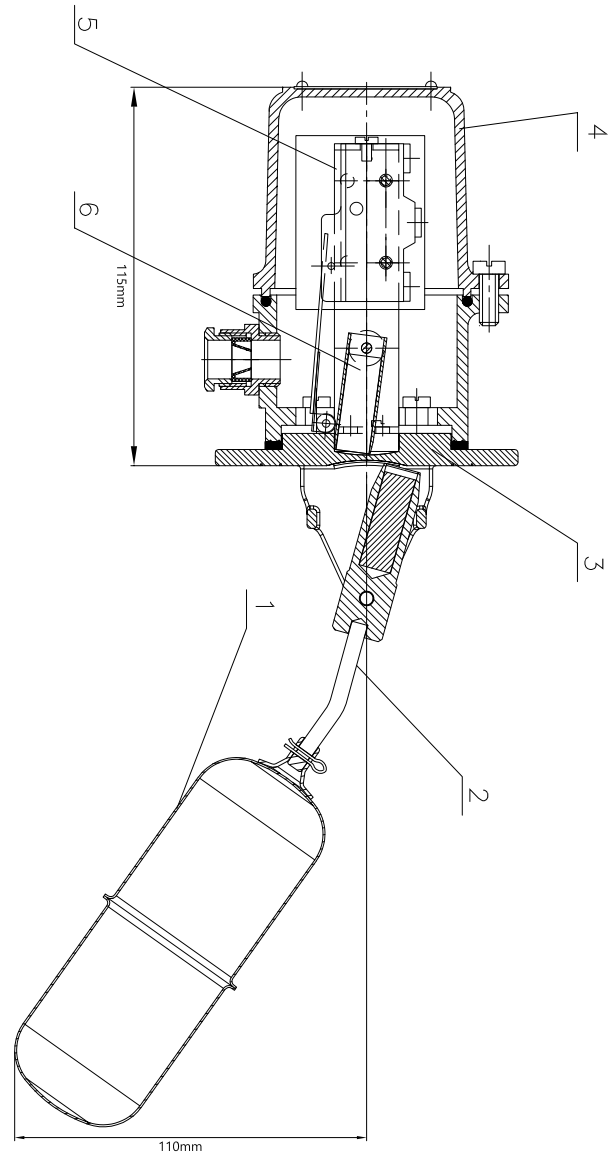
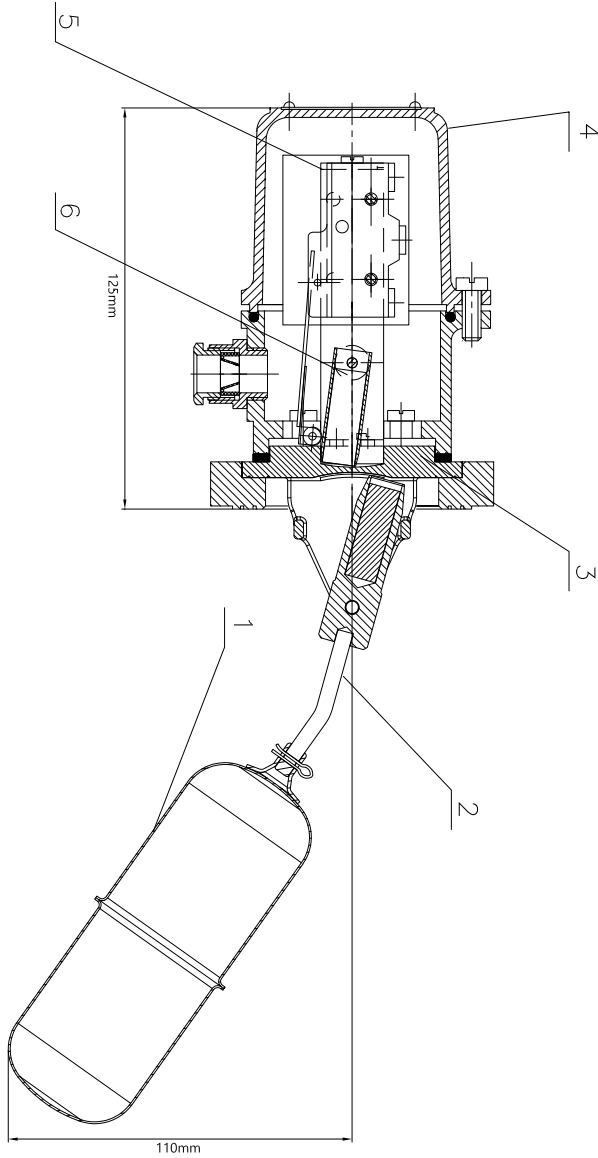


No	Part List	Material List
1	Float	AISI 316L
2	Rod	-
3	Flanged	AISI 304
4	Body	Cast. Aluminium
5	Micro Switch	-
6	Magnet	-
7	Adjustment Rod	AISI 304
8	Test Rod	AISI 304

# C-4 FLOAT SWITCH

## CARBON STEEL C-4

## STANDARD C-4



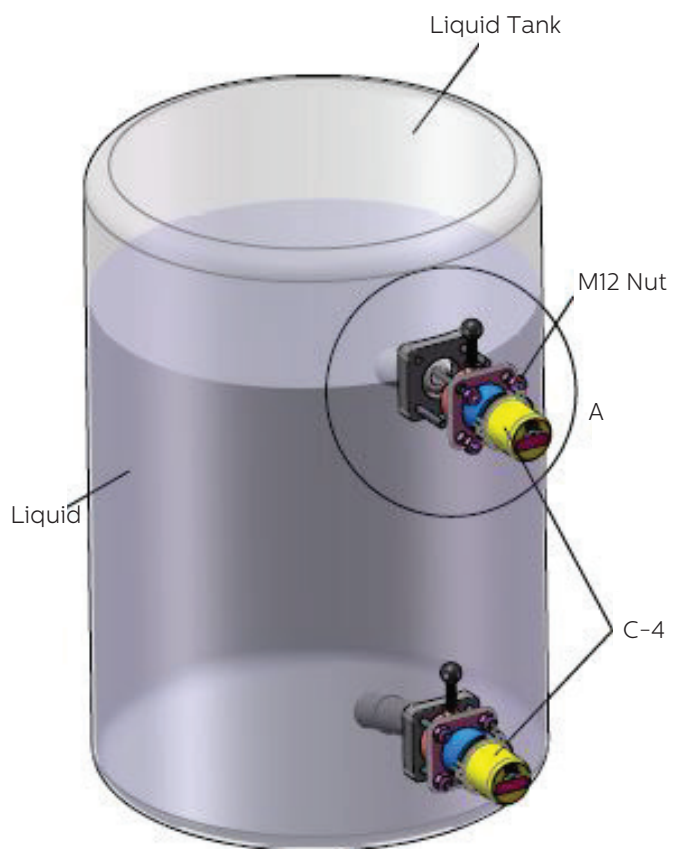
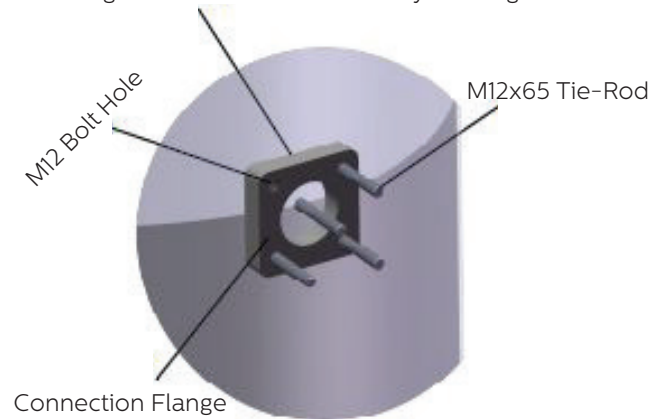
No	Part List	C-4 Standard	C-4 Carbon Steel (PN16)
1	Float	AISI 316L	AISI 316L
2	Rod	AISI 316	AISI 304
3	Flange	AISI 304	St 37
4	Body	Cast. Aluminium	Cast. Aluminium
5	Micro Switch	-	-
6	Magnet	-	-
7	Adjustment Rod	-	-
8	Test Rod	-	-

# C-4 FLOAT SWITCH

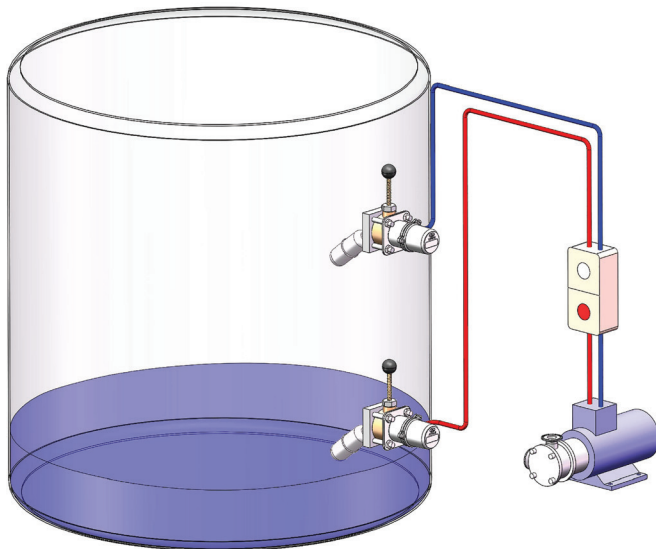


## INSTALLATION PROCEDURE

The flange is mounted to the tank by welding



# C-4 FLOAT SWITCH

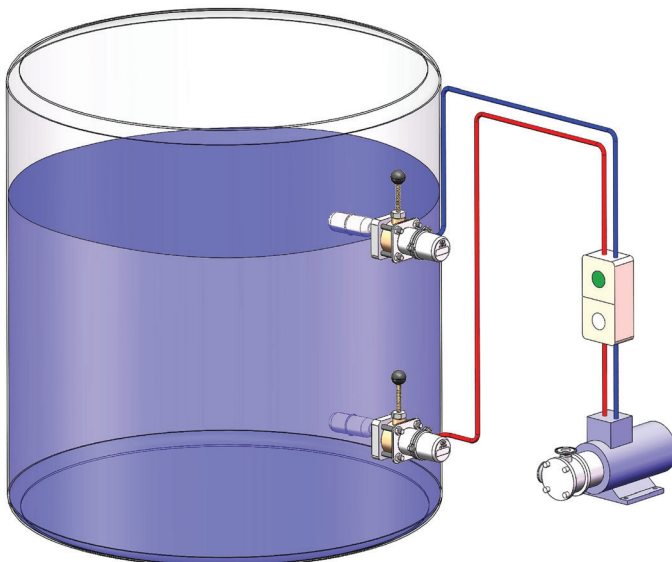
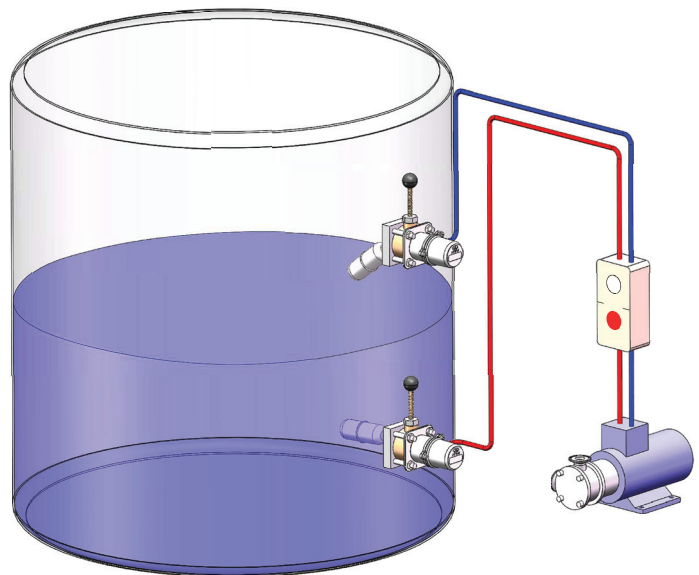


## Stage 1

As the fluid rises inside of the tank, so does the float with it. When the float reaches the activation level, water pump goes on and starts filling the tank.

## Stage 2

Sealed pump keeps filling the tank until it reaches the upper C-4's activation level.



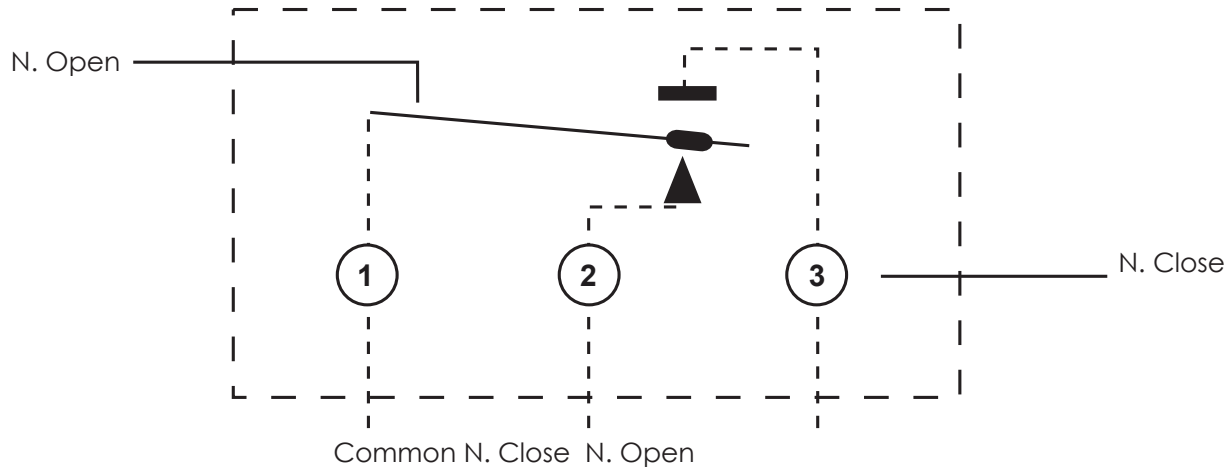
## Stage 3

When the fluid inside of the tank lifts the float, pump stops filling the tank. This procedure repeats itself when the fluid drops to the activation level of lower C-4s.

# C-4 FLOAT SWITCH



## ELECTRICAL CONNECTION SCHEME



### PUMP START

\_\_\_\_\_ NO  
 \_\_\_\_\_ Ø  
 \_\_\_\_\_ COM

### PUMP STOP

\_\_\_\_\_ Ø  
 \_\_\_\_\_ NC  
 \_\_\_\_\_ COM

## کنترل تک

واحد فروشى ۰۲۱۶۶۴۷۹۴۸۶

### LOW ALARM

\_\_\_\_\_ Ø  
 \_\_\_\_\_ NC  
 \_\_\_\_\_ COM

واتساب استعمال ۰۹۱۲۸۴۴۸۷۶۳

### SHORT ALARM

\_\_\_\_\_ NO  
 \_\_\_\_\_ Ø  
 \_\_\_\_\_ COM



### HEAD OFFICE - FACTORY

Atatürk Sanayi Bölgesi Hadımköy Mahallesi Mustafa İnan Caddesi No: 44 Arnavutköy - İSTANBUL  
 Tel: +90 212 771 01 45 (pbx) | Fax: +90 212 771 47 27  
 info@ayvaz.com | www.ayvaz.com

**Cona**  
**Caserta/Italy**  
 Tel: +39 0823 187 3988  
 rmolaro@ayvaz.com

**Ayvaz Russia**  
**Moscow/Russia**  
 Tel: +74959951728  
 ayvazrus@ayvaz.com

**Ayvaz Germany**  
**Viernheim/Germany**  
 Tel: +49 62046014399  
 germany@ayvaz.com

**Ayvaz Ukraine**  
**Kiev/Ukraine**  
 Tel: +380 44 390 57 57  
 info@ayvaz.com.ua

**Tricorr**  
**Warsaw/Poland**  
 Tel: +48-32-783-295-1  
 tricorr@tricorr.eu

**Haci Ayvaz M.E.**  
**Dubai/U.A.E**  
 Tel: +971 563550822  
 +971 501306871  
 mideast@ayvaz.com

**Ayvaz China**  
**Cixi City/China**  
 Tel: +86 0574 5897 3851  
 info@ayvazchina.com

**Ayvaz Kazakhstan LLP**  
**Almaty/Kazakhstan**  
 Tel: +7 (727) 327 97 57  
 info\_kz@ayvaz.com  
 www.ayvaz.kz

**Ayvaz N**  
**İsperih/Bulgaria**  
 Tel: +359 8431 27 32  
 office@ayvaz-n.eu

**Ayvaz Serbia**  
**Belgrad/Serbia**  
 Tel: +381 61 658 70 52  
 yakbiyik@ayvaz.com