



شرکت فنی مهندسی کنترل تک پیشرو در صنعت ابزار دقیق

Tel: 021 66479486

## Cim 1430N

BRASS PRESSURE REDUCER FEMALE/FEMALE CONNECTIONS - NICKEL PLATED



This article was made in compliance with the quality management requirements of standard ISO 9001:2008. All articles are tested according to the standard EN 12266-1:2003.

It can be used in a wide variety of sectors: drinking water distribution networks, heating systems, air conditioning, sanitary systems and generally with any non corrosive liquid.

It is guaranteed for 5 years.

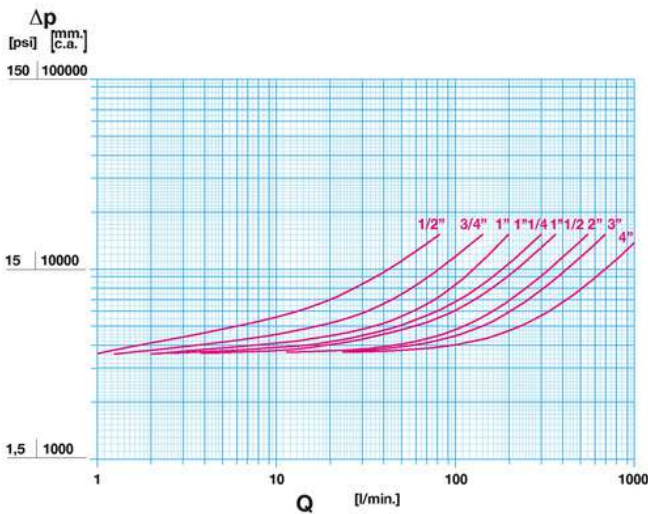
It is made of a brass alloy that complies with standard EN 12165-CW617N-M.

Nominal Pressure: PN 25

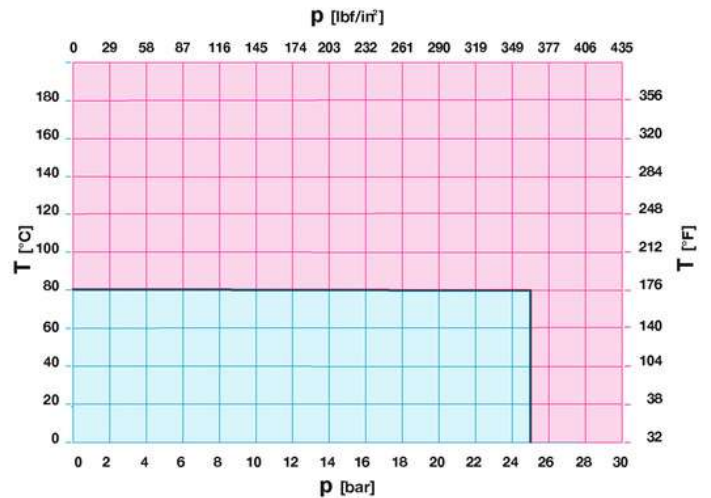
Operating temperature: 0 to 80°C

Adjustment range: 0.5 to 6 bar

### FLOW AND PRESSURE DROP



### PRESSURE TEMPERATURE RATINGS



Notes:

1 l/min = 0,06 m<sup>3</sup>/h

1 m<sup>3</sup>/h = 16,67 l/min

1 bar = 10.000 mm w.c.

1 psi = 690 mm w.c.

شرکت فنی مهندسی کنترل تک فعال در زمینه ی فروش ، مشاوره فنی رایگان و آموزش ابزار دقیق

WWW.CONTROLTAK.COM

@ControlTak تلگرام

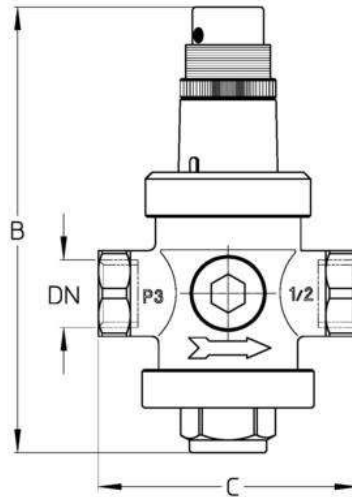
Control-Tak اینستاگرام

Controltak@Gmail.com

02166479486

تماس : 09190345384

## TECHNICAL DRAWING



DN	1/2"	3/4"	1"	1"1/4	1"1/2	2"	2"1/2	3"	4"
<b>Grms.</b>	<b>790</b>	<b>1130</b>	<b>1340</b>	<b>2300</b>	<b>2400</b>	<b>3100</b>	<b>4100</b>	<b>5520</b>	<b>6970</b>
B	120	150	160	220	220	250	260	285	310
C	75	85	91	116	125	140	148	177	190

Thread:  
ISO 228

## TECHNICAL CHARACTERISTICS

Ideal flow rates									
DN	1/2"	3/4"	1"	1"1/4	1"1/2	2"	2"1/2	3"	4"
Flow (l/min)	20÷50	50÷75	75÷95	95÷130	110÷140	120÷160	140÷180	160÷220	200÷260
Flow (m3/h)	1,2÷3	3÷4,5	4,5÷6	6÷8	7÷8,5	7,5÷10	8,5÷11	10÷13,2	12÷15,6

## OUR CERTIFICATIONS



شرکت فنی مهندسی کنترل تک فعال در زمینه ی فروش ، مشاوره فنی رایگان و آموزش ابزار دقیق  
 اینستاگرام Control-Tak تلگرام @ControlTak WWW.CONTROLTAK.COM Controltak@Gmail.com  
 تماس : 02166479486 09190345384